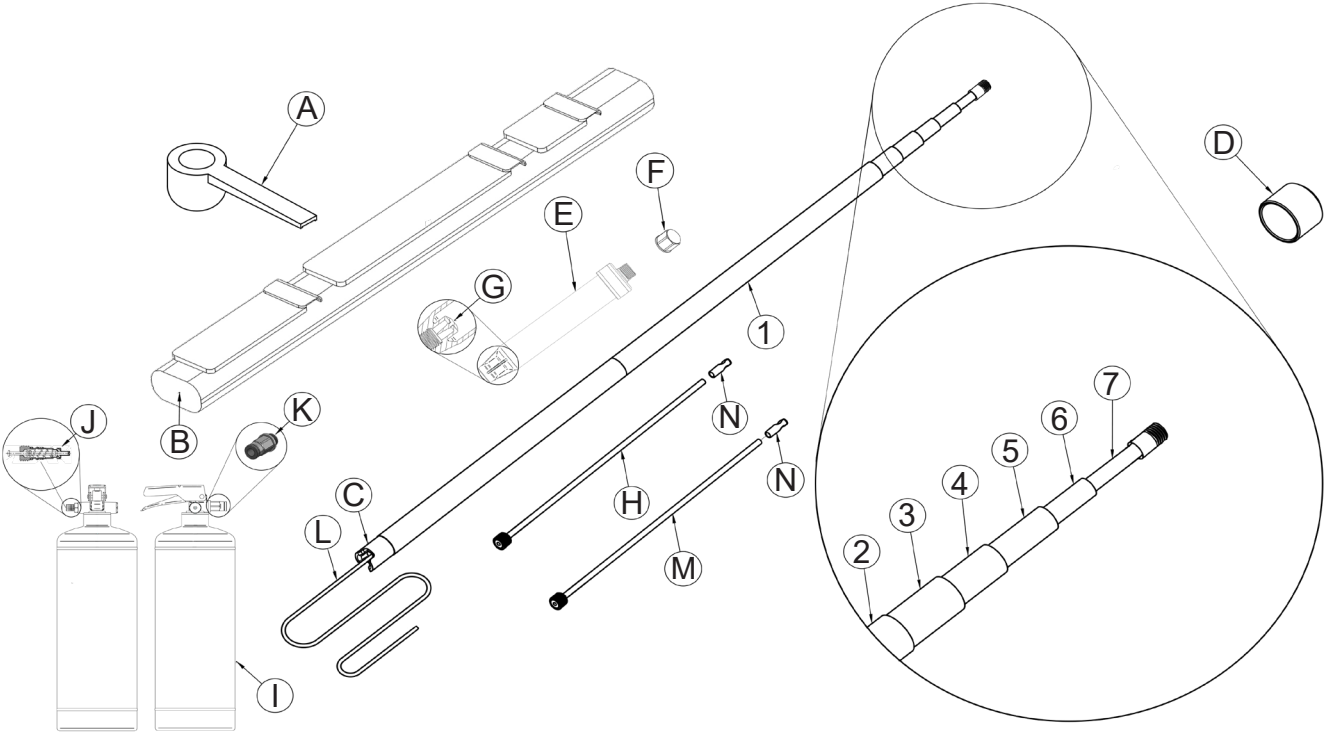




Lance Lab AR 8 Pro Component Parts

Adjustable Telescopic Dusting Lance
Range 8 m



Key	Component Description	Art - Nr.	Quantity
1	Replacement Pole Section 1 (Base)	AR8-01	1
2	Replacement Pole Section 2	AR8-02	1
3	Replacement Pole Section 3	AR8-03	1
4	Replacement Pole Section 4	AR8-04	1
5	Replacement Pole Section 5	ARP-09	1
6	Replacement Pole Section 6	ARP-10	1
7	Replacement Pole Section 7 (Top)	ARP-11	1
A	5g Powder Scoop	PSCOOP-01	1
B	Heavy Duty Carry Case (Bag only without tubes)	AR38-11	1
C	Rubber End Foot	AR8-14	1
D	End Cap	AR8-18	1
E, F	Replacement Powder Chamber (Inc 1 x cap)	ARP-01	1
G	Powder chamber internal non-return Valve (supplied with special fitting tool).	ARP-02	1
H, N	Flexible Nozzle Kit - Standard tube size (8 mm Diameter x 35 cm)	ARP-03	1
I	1L Stainless Steel Pressure Tank	ARP-05	1
J	Inflator valve inner core (Inc fitting tool)	ARP-06	1
K	6 mm Compression rush fit outlet valve	ARP-07	1
F, N	Powder Chamber and tip cap (2 pcs)	ARP-08	1
L	AR 8 Pro Replacement hose Kit (8m)	ARP8-01	1

Accessories

Key	Product Description	Art - Nr.	Quantity
M, N	Flexible Nozzle Kit - Fine tube size (6 mm Diameter x 35 cm)	ARP-04	1